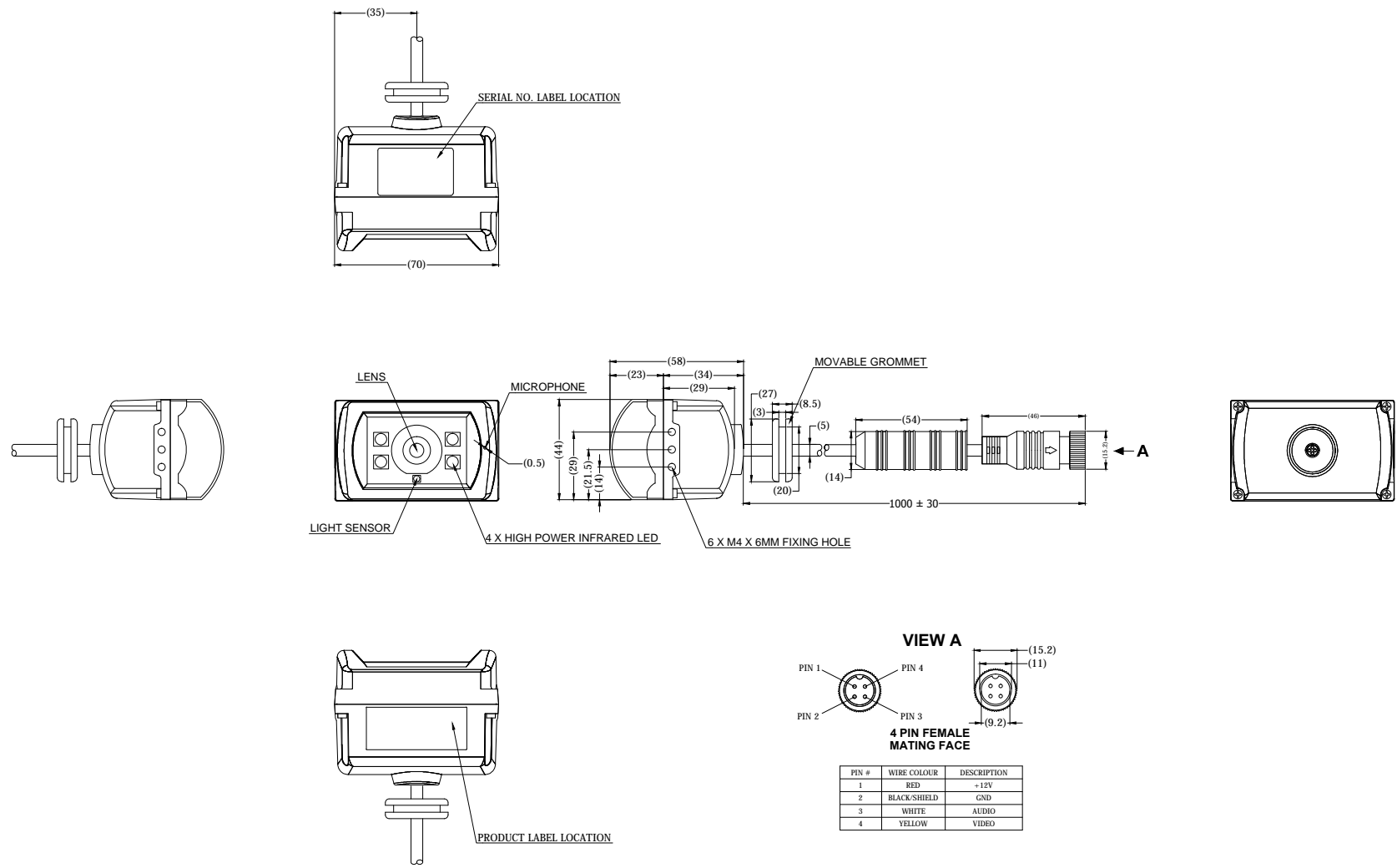


Revision Notes.				
R1 - FW VERSION (SV-13417D-P-07-V1.0) ADDED TO NOTES AS PER CR-A519.				
APA: YILINGZHANG	Drawn:W.BEAZLEY	Checked:S.LAVER	Approved:D.WALLIN	Date: 22/05/2017



- NOTES:**
1. FINISH IS BLACK.
 2. FOR PRODUCT LABEL REFER TO LATEST REVISION OF DRAWING BE-003338-XX-16.
 3. FOR PRODUCT SERIAL NUMBER LABEL REFER TO LATEST REVISION OF DRAWING BE-001323-XX-10.
 4. FIRMWARE VERSION SV-13417D-P-07-V1.0 TO BE PRE-LOADED TO MAIN BOARD.



PROPRIETARY NOTICE
 THIS DESIGN AND TECHNICAL INFORMATION APPEARING ON THIS DRAWING IS THE PROPERTY OF BRIGADE ELECTRONICS, AND IS DISCLOSED IN CONFIDENCE. IT IS NOT TO BE COPIED, REPRODUCED, REVEALED TO OR EXPROPRIATED BY OTHERS, EITHER IN WHOLE OR IN PART WITHOUT THE EXPRESS WRITTEN CONSENT OF BRIGADE ELECTRONICS.



Assembly Pl Approval YILING ZHANG (27/07/16)	Approved by B.JOHN	Checked by R.BATES	Drawn by M.BUTLER
Angle of Projection 	Units mm	Scale N/A	Released 27/07/16
	Status RELEASED	Assembly Ref - VBV-700C-C	
	Part No 3188D	BE-003340-01-16	